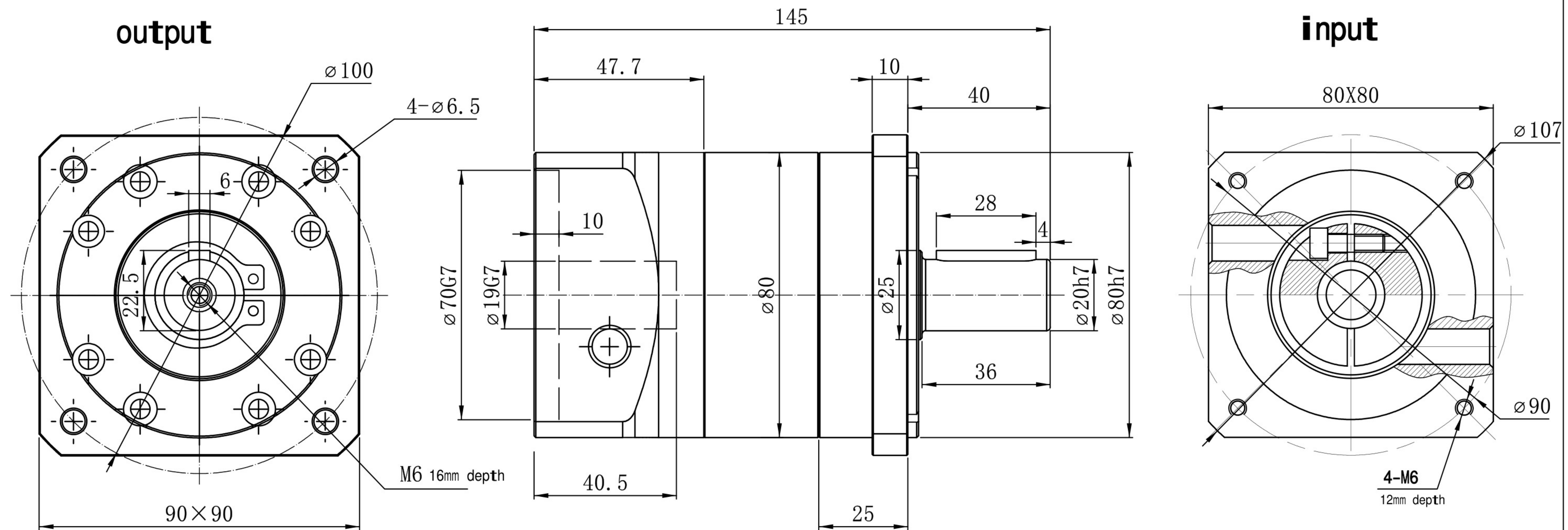


standard grade 1



speed ratio	1:3	1:4	1:5	1:7	1:10
rated output torque (N.m)	40	50	50	45	40
inertia moment(kg.cm ²)	0.77	0.52	0.45	0.39	0.34
noise(L=100cm)	≤68dB				

emergency stop torque(N.m)	2 times rated output torque	backlash	≤10
gear grade	1	rated input speed (rpm)	3000
allowable radial load(N)	900	maximal input speed (rpm)	4500
allowable axial load(N)	650	level of protection	IP54
transmission efficiency	≥96%	80SPF Series	forvv.com.tr