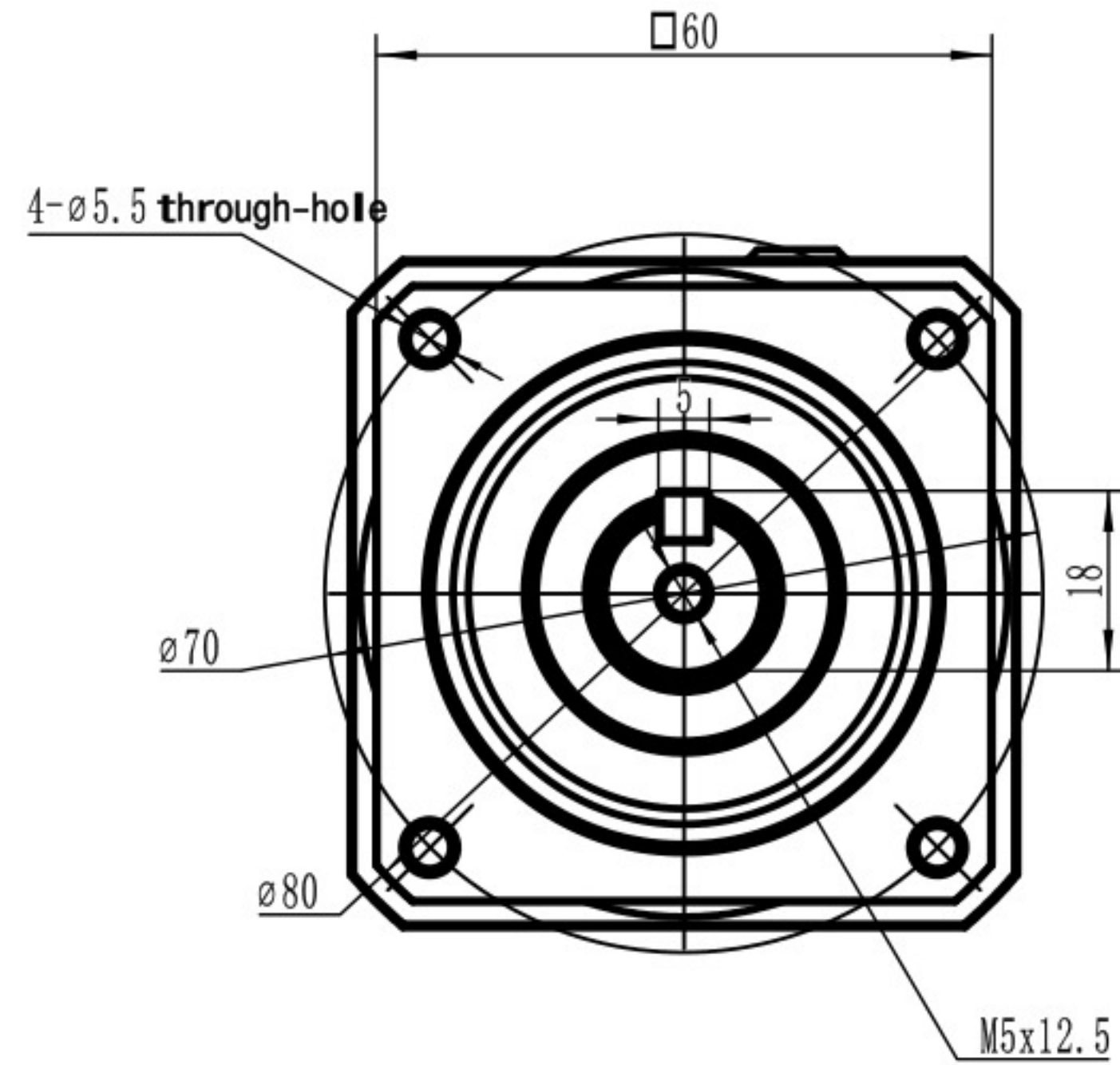
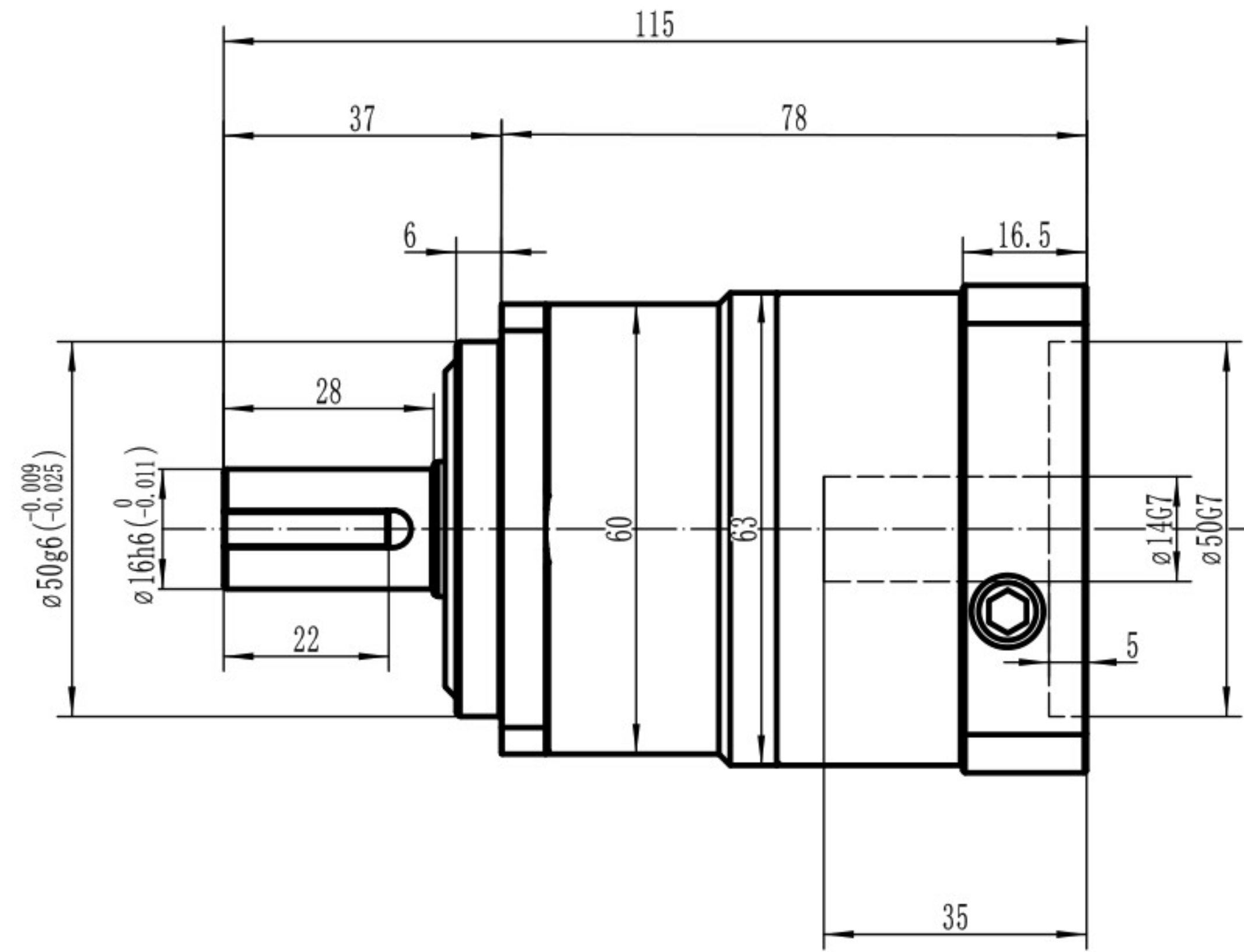
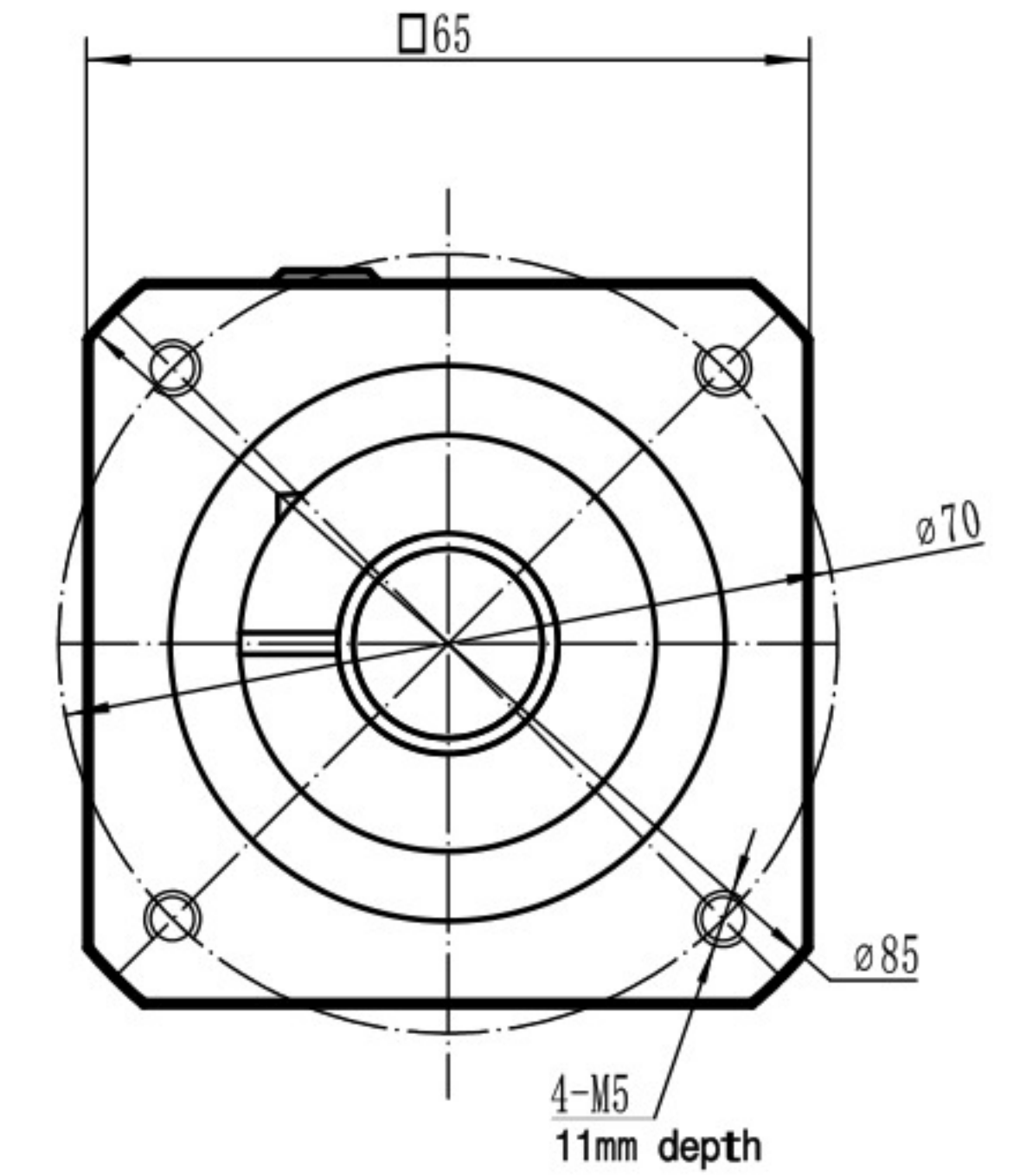


output



input



DATA SHEET

speed ratio	1:3	1:4	1:5	1:7	1:10
rated input speed (rpm)	3000	3000	3000	3000	3000
maximum input speed (rpm)	6000	6000	6000	6000	6000
allowable average torque(N.m)	18	27	27	27	18
allowable maximum torque(N.m)	35	50	50	50	35
allowable radial load(N)	430	470	510	570	640
allowable axial load(N)	310	360	390	460	530
backlash(min)	3	3	3	3	3
weight	1.4	1.4	1.4	1.4	1.4

FORVV
forvv automation & engineering

model

FB-060-K3-14BK14

part No.

FB060 Series

forvv.com.tr