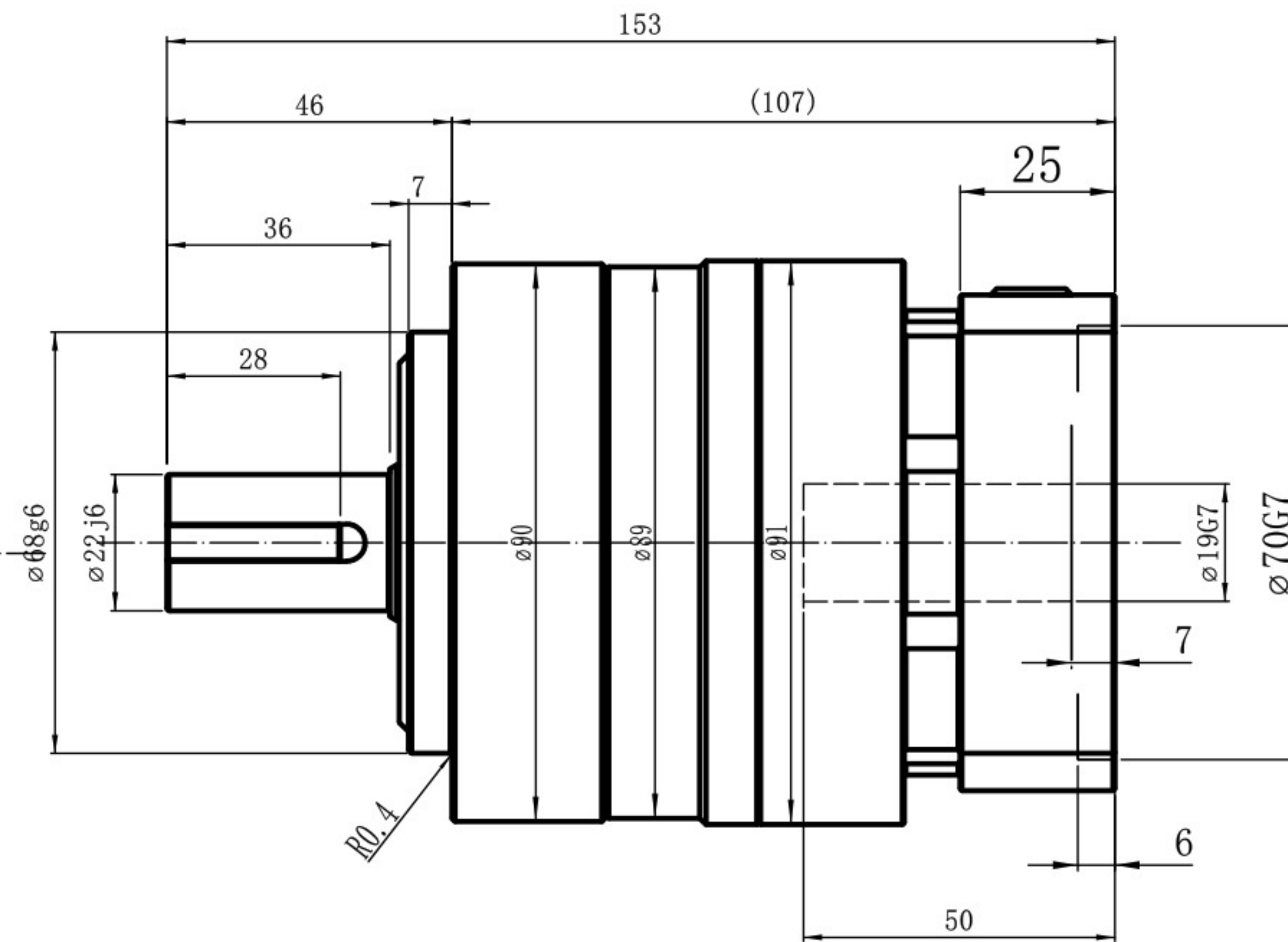
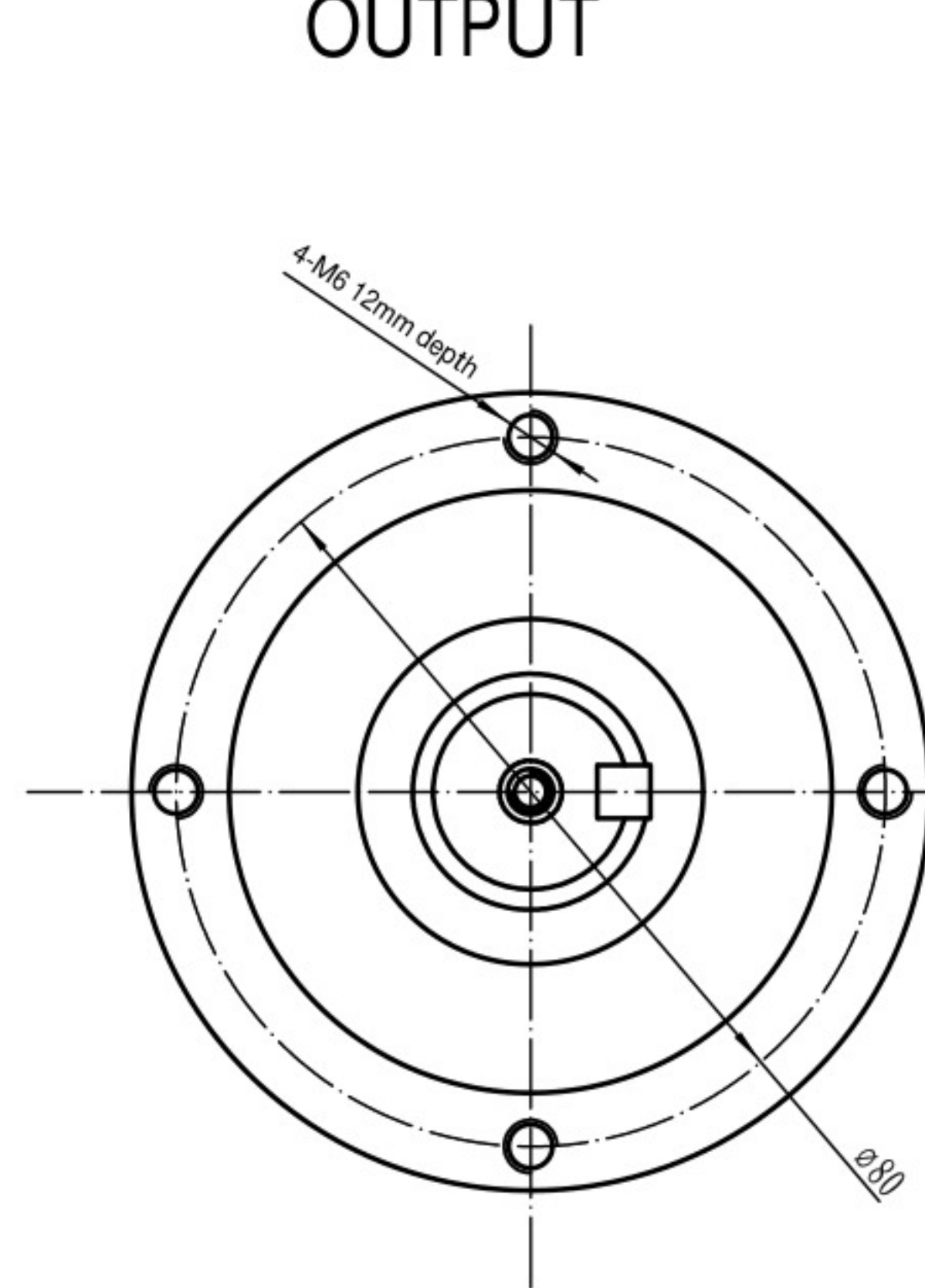
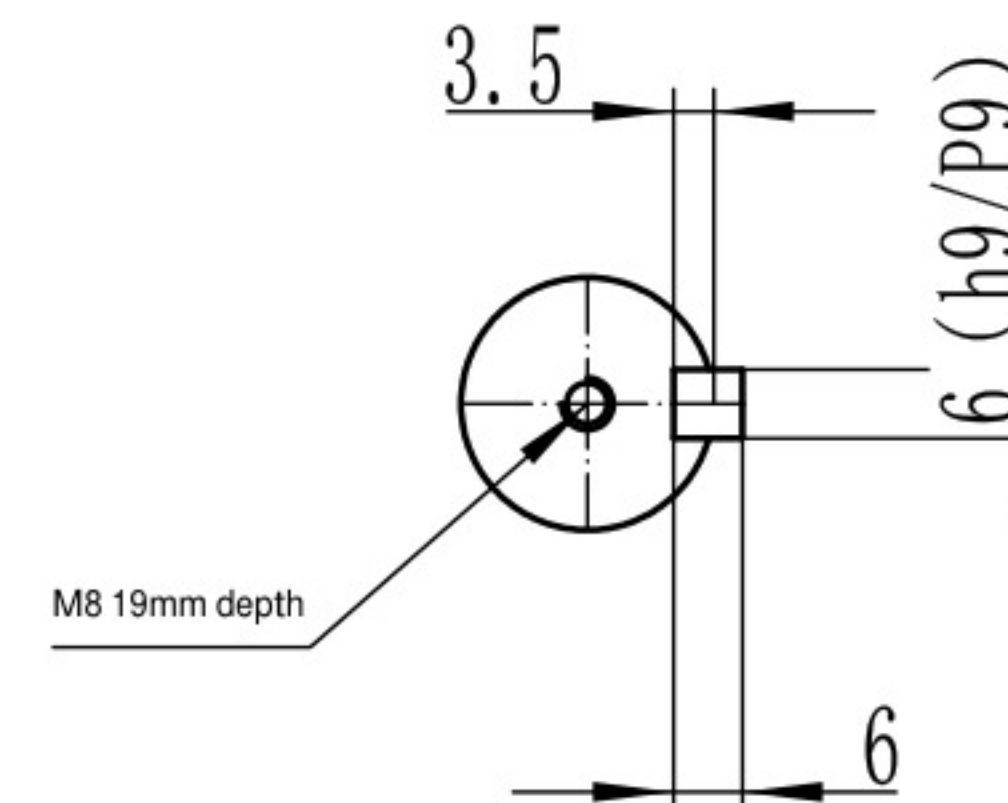
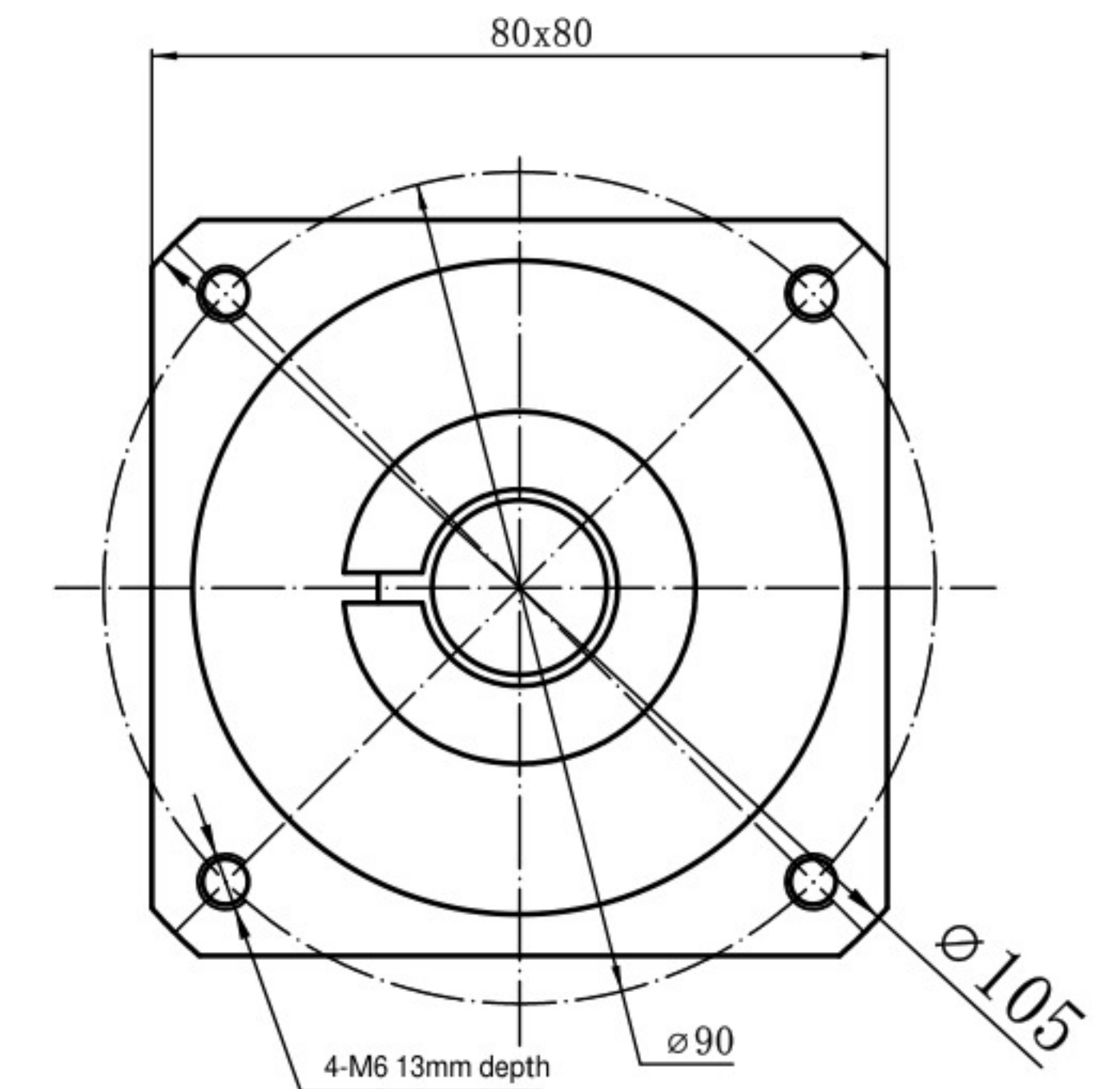


# OUTPUT



# INPUT



gearbox datasheet					
speed ratio	1:3	1:4	1:5	1:7	1:10
rated input speed(rpm)	3000	3000	3000	3000	3000
maximum input speed (rpm)	6000	6000	6000	6000	6000
rated torque(N.m)	80	125	125	125	80
allowable radial load(N)	810	890	960	1100	1200
allowable axial load(N)	930	1100	1200	1300	1600
backlash(min)	5	5	5	5	5
weight(kg)	4.0	4.0	4.0	4.0	4.0
scram torque(N.m)	200	250	250	250	200

<b>FORVV</b> forvv automation & engineering	
Model	FL-090 Series
FL-090-K5-19DC19-1	
FL090	
forvv.com.tr	